

2
SPEEDS

The EBB-N extractor fans are suitable for many domestic and commercial ventilation applications where higher system resistance pressures are encountered. The range comprise of three models, EBB-100N, EBB-170N and EBB-250N, each available in different versions. The EBB-N models incorporate a forward curved centrifugal impeller with 2-speed single phase motor 230V50Hz, 4-pole (EBB-170N and 250N) or 2-pole motor (EBB-100N). IP44. Class II. Housing and impeller made in polypropylene. Suitable to operate with air temperature up to 40°C.



EBB-100 N



EBB-170 N
and EBB-250 N



Filters

Two metal filters (inox for models 170 and 250) that keep out dust and dirt in the exhaust.



Back draft shutter

The EBB-N are fitted with an automatic back draft shutter to prevent air entry and limit heat leakage when the extractor is not operating.



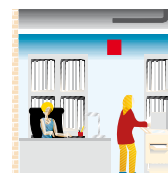
2 Back draft shutter

2 back draft shutter of Ø80 and Ø100 mm.



Forward curved centrifugal impeller

To deliver high performance with a minimum noise level against high static pressure system resistance.

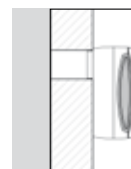


MODEL FEATURES

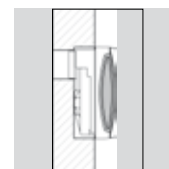
	S	T	HT
BACK DRAFT SHUTTER	EBB-170 N / EBB-250 N	EBB-170 N / EBB-250 N	EBB-170 N / EBB-250 N
2 BACK DRAFT SHUTTER	EBB-100 N	EBB-100 N	EBB-100 N
METAL FILTERS	EBB-100 N	EBB-100 N	EBB-100 N
INOX FILTERS	EBB-170 N / EBB-250 N	EBB-170 N / EBB-250 N	EBB-170 N / EBB-250 N
TWO SPEED	●	●	●
ADJUSTABLE RUN-ON-TIMER		●	●
INTERNAL HUMIDISTAT			●
WIRING DIAGRAM*	7, 8, 9, 10	4, 5	1, 4

* See section of Wiring Diagrams.

Examples of installation



Surface



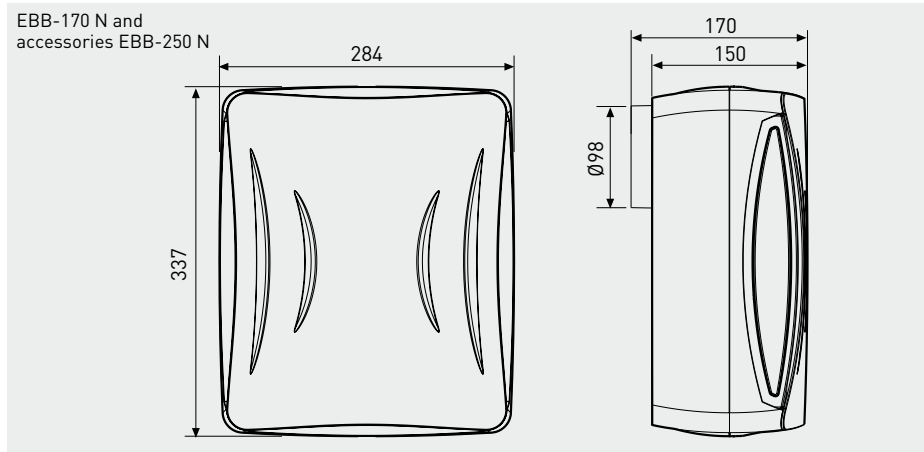
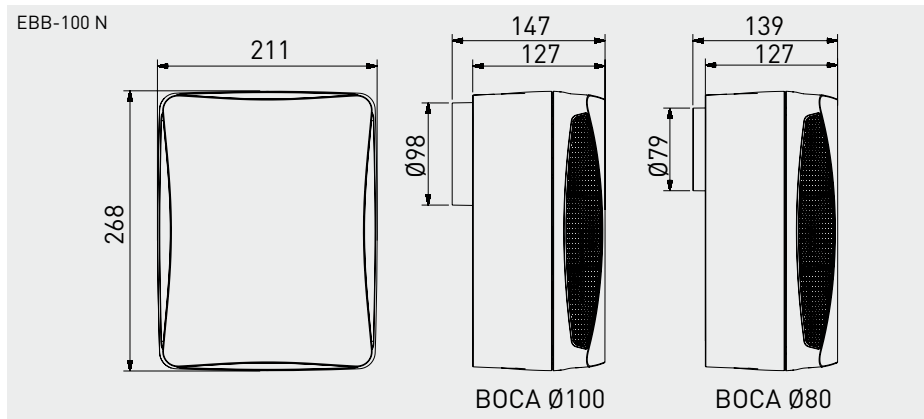
Built-in

TECHNICAL CHARACTERISTICS

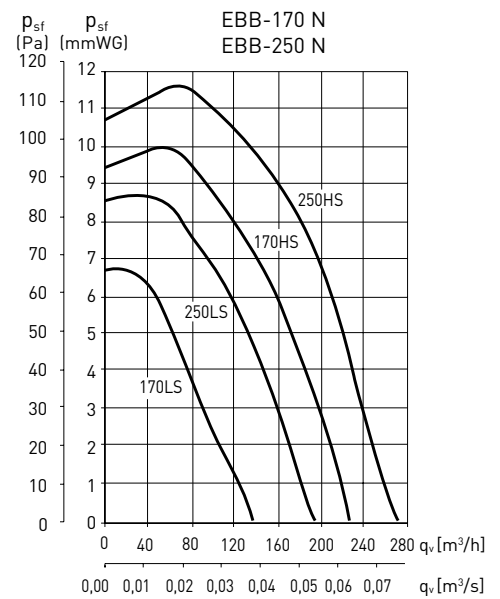
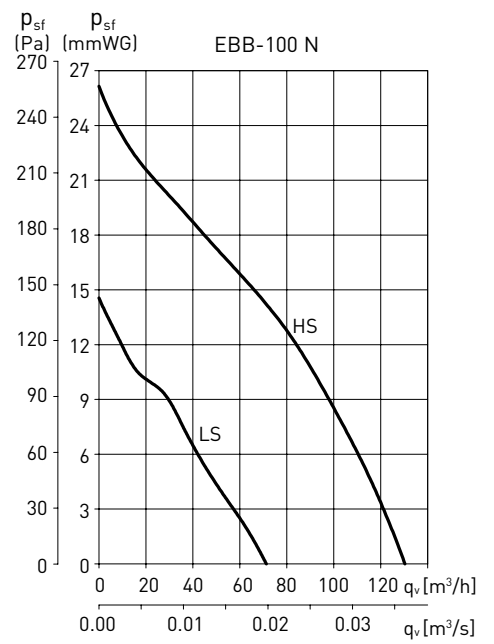
Model	Speed (rpm)	Abs. power at free discharge (W)	Voltage (V) 50Hz	Sound pressure level* (dB(A))	Airflow at free discharge (m³/h)	IP	Ø duct (mm)	Weight (kg)
EBB-100 N	HS 1600	35	230	46	130	Class II / IP44	100/80	1,8
	LS 1050	15	230	34	75			
EBB-170 N	HS 1100	48	230	42	220	Class II / IP44	100	3
	LS 780	36	230	32	140			
EBB-250 N	HS 1225	51	230	46	270	Class II / IP44	100	3
	LS 900	36	230	38	190			

* Sound pressure level measured at 1,5 m at free air conditions.

DIMENSIONS (mm)



PERFORMANCE CURVES



ACCESSORIES



GSA-100
Flexible aluminium ducting.



GRA-70
Aluminium external grille.



MRT-100
Circular duct joining piece.



CX-80/125
Worm drive ducting clip.



REB
Single phase electronic speed controllers.



REGUL-2
Two speed switch.